

JIS

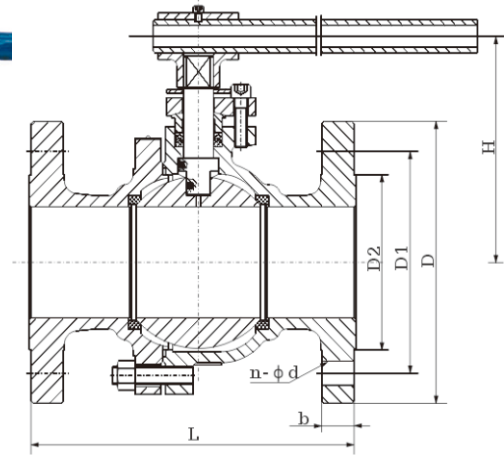
Технические характеристики

По вопросам продаж и поддержки обращайтесь:

Алматы (7273)495-231	Казань (843)206-01-48	Новокузнецк (3843)20-46-81	Смоленск (4812)29-41-54
Архангельск (8182)63-90-72	Калининград (4012)72-03-81	Новосибирск (383)227-86-73	Сочи (862)225-72-31
Астрахань (8512)99-46-04	Калуга (4842)92-23-67	Омск (3812)21-46-40	Ставрополь (8652)20-65-13
Барнаул (3852)73-04-60	Кемерово (3842)65-04-62	Орел (4862)44-53-42	Сургут (3462)77-98-35
Белгород (4722)40-23-64	Киров (8332)68-02-04	Оренбург (3532)37-68-04	Тверь (4822)63-31-35
Брянск (4832)59-03-52	Краснодар (861)203-40-90	Пенза (8412)22-31-16	Томск (3822)98-41-53
Владивосток (423)249-28-31	Красноярск (391)204-63-61	Пермь (342)205-81-47	Тула (4872)74-02-29
Волгоград (844)278-03-48	Курск (4712)77-13-04	Ростов-на-Дону (863)308-18-15	Тюмень (3452)66-21-18
Вологда (8172)26-41-59	Липецк (4742)52-20-81	Рязань (4912)46-61-64	Ульяновск (8422)24-23-59
Воронеж (473)204-51-73	Магнитогорск (3519)55-03-13	Самара (846)206-03-16	Уфа (347)229-48-12
Екатеринбург (343)384-55-89	Москва (495)268-04-70	Санкт-Петербург (812)309-46-40	Хабаровск (4212)92-98-04
Иваново (4932)77-34-06	Мурманск (8152)59-64-93	Саратов (845)249-38-78	Челябинск (351)202-03-61
Ижевск (3412)26-03-58	Набережные Челны (8552)20-53-41	Севастополь (8692)22-31-93	Череповец (8202)49-02-64
Иркутск (395)279-98-46	Нижний Новгород (831)429-08-12	Симферополь (3652)67-13-56	Ярославль (4852)69-52-93
Россия (495)268-04-70	Киргизия (996)312-96-26-47	Казахстан (7172)727-132	

JIS Ball Valve

TEK VALVE



API SERIES

DIN SERIES

JIS SERIES

Parts and material list

Parts name	Material				
	WCB/13Cr	WCB/304	WCB/316	CF8	CF8M
Body	ASTM A216 WCB	ASTMA216 WCB	ASTM A216 WCB	ASTM A351 CF8	ASTM A351 CF8M
Body nut	ASTM A194 2H	ASTM A194 2H	ASTM A194 2H	ASTM A194 8	ASTM A194 8M
Body bolting	ASTM A193 B7	ASTM A193 B7	ASTM A193 B7	ASTM A193 B8	ASTM A193 B8M
Gasket	PTFE	PTFE	PTFE	PTFE	PTFE
Cap	ASTM A216 WCB	ASTMA216 WCB	ASTM A216 WCB	ASTM A351 CF8	ASTM A351 CF8M
Ball	ASTM A182 F6a	ASTM A182 F304	ASTM A182 F316	ASTM A182 F304	ASTM A182 F316
Seat	Reinforced PTFE	Reinforced PTFE	Reinforced PTFE	Reinforced PTFE	Reinforced PTFE
Stem	ASTM A182 F6a	ASTM A182 F304	ASTM A182 F316	ASTM A182 F304	ASTM A182 F316
Packing	PTFE	PTFE	PTFE	PTFE	PTFE
Gland	ASTM A182 F6a	ASTM A182 F304	ASTM A182 F316	ASTM A182 F304	ASTM A182 F316
Gland flange	ASTM A216 WCB	ASTMA216 WCB	ASTM A216 WCB	ASTM A351 CF8	ASTM A351 CF8M
Gland bolt	ASTM A193 B7	ASTM A193 B7	ASTM A193 B7	ASTM A193 B8	ASTM A193 B8M
Stop collar	Carbon steel	Carbon steel	Carbon steel	Stainless steel	Stainless steel
Lever	Carbon steel	Carbon steel	Carbon steel	Carbon steel	Carbon steel

Note: The chart above only lists out some common composition of steel ball valve parts. We may provide other different parts material composition according to the customer's request or the actual valve working condition.

Features

Our company JIS ball valve is widely used in such fields as petroleum melting, chemical industry, papermaking, pharmaceutical industry, food industry, water power, electric power, city planning, steel. Among them the sulphur-resistance serial ball valve is especially applicable for Natural Gas Long-Distance Transportation features containing sulphureted hydrogen medium, mang impurity and serious corroding .

Construction as follows

- | | |
|---|---|
| <ol style="list-style-type: none"> 1. Bolted bonnet, Two-piece Body, Floating Ball 2. Full or Reduced bore, Blowout Proof Stem 3. Fire safe and Anti static 4. Stainless steel ball 5. ASTM A216 WCB, A351 CF8, A351 CF8M, A351 CF3, A351 CF3M | <ol style="list-style-type: none"> 1. Bolted cover, Two-piece or three-piece Body, fixed Ball 2. Full or Reduced bore, Blowout Proof Stem 3. Fire safe and Anti static 4. Dual seat with injection and drain & outlet 5. ASTM A216 WCB, A351 CF8, A351 CF8M, A351 CF3, A351 CF3M |
|---|---|

Standard				
Design And Manufacture	Face To Face	Flange Dimension	Pressure-Temperature rating	Inspection And Test
JIS B2071 B2081	JIS B2002	JIS B2212 B2214	JIS B2071 B2081	JIS B2003

Capability criterion							
Body material	SPCH2-11	SPCH2-32	SCS13A	SCS19A	SCS14A	SCS16A	SCPL1
Suitable Temperature	≤425°C	≤540°C	≤275°C	≤200°C	≤275°C	≤200°C	-45~150°C
Appropriate Medium	Water Steam Oil Goods		Nitric Acid		Acetic Acid		Liquid Ammonia

Size main dimensions of Ball Valve									
DN		10K							
mm	in	L	D	D1	D2	b	n-φd	H	D0
15	1/2	108	95	70	52	12	4-φ15	59	130
20	3/4	117	100	75	58	14	4-φ15	63	130
25	1	127	125	90	70	14	4-φ19	75	160
40	1 1/2	165	140	105	85	16	4-φ19	95	230
50	2	178	155	120	100	16	4-φ19	107	230
65	2 1/2	190	175	140	120	18	4-φ19	142	400
80	3	203	185	150	130	18	8-φ19	152	400
100	4	229	210	175	155	18	8-φ19	178	700
125	5	356	250	210	185	20	8-φ23	252	1100
150	6	394	280	240	215	22	8-φ23	272	1100
200	8	457	330	290	265	22	12-φ23	342	1500
250	10	533	400	355	325	24	12-φ25	345	1500

Note: The chart above only lists out some common composition of steel globe valve parts. We may provide other different parts material composition according to the customer's request or the actual valve working condition.

JIS Ball Valve

TEK VALVE

Size main dimensions of Ball Valve

DN		20K							
mm	in	L	D	D1	D2	b	n-φd	H	D0
15	1/2	140	95	70	52	14	4-φ15	59	130
20	3/4	152	100	75	58	16	4-φ15	63	130
25	1	165	125	90	70	16	4-φ19	75	160
40	1 1/2	190	140	105	85	18	4-φ19	95	230
50	2	216	155	120	100	18	8-φ19	107	230
65	2 1/2	241	175	140	120	20	8-φ19	142	400
80	3	283	200	160	135	22	8-φ23	152	400
100	4	305	225	185	160	24	8-φ23	178	700
125	5	381	270	225	195	26	8-φ25	252	1100
150	6	403	305	260	230	28	12-φ25	272	1100
200	8	502	350	305	275	30	12-φ25	342	1500
250	10	568	430	380	345	34	12-φ27	345	1500

DN		40K							
mm	in	L	D	D1	D2	b	n-φd	H	D0
15	1/2	165	115	80	55	20	4-19	59	130
20	3/4	190	120	85	60	20	4-19	63	160
25	1	216	130	95	70	22	4-19	75	230
40	1 1/2	241	160	120	90	24	4-23	95	230
50	2	292	165	130	105	26	8-19	107	400
65	2 1/2	330	200	160	130	30	8-23	142	400
80	3	356	210	170	140	32	8-23	152	700
100	4	432	250	205	165	36	8-25	178	1100
125	5	508	300	250	200	40	8-27	252	1100
150	6	559	355	295	240	44	12-33	272	1100
200	8	660	405	345	290	50	12-33	342	1500
250	10	787	475	410	355	56	12-33	345	1500

API SERIES

DIN SERIES

JIS SERIES

По вопросам продаж и поддержки обращайтесь:

Алматы (7273)495-231	Казань (843)206-01-48	Новокузнецк (3843)20-46-81	Смоленск (4812)29-41-54
Архангельск (8182)63-90-72	Калининград (4012)72-03-81	Новосибирск (383)227-86-73	Сочи (862)225-72-31
Астрахань (8512)99-46-04	Калуга (4842)92-23-67	Омск (3812)21-46-40	Ставрополь (8652)20-65-13
Барнаул (3852)73-04-60	Кемерово (3842)65-04-62	Орел (4862)44-53-42	Сургут (3462)77-98-35
Белгород (4722)40-23-64	Киров (8332)68-02-04	Оренбург (3532)37-68-04	Тверь (4822)63-31-35
Брянск (4832)59-03-52	Краснодар (861)203-40-90	Пенза (8412)22-31-16	Томск (3822)98-41-53
Владивосток (423)249-28-31	Красноярск (391)204-63-61	Пермь (342)205-81-47	Тула (4872)74-02-29
Волгоград (844)278-03-48	Курск (4712)77-13-04	Ростов-на-Дону (863)308-18-15	Тюмень (3452)66-21-18
Вологда (8172)26-41-59	Липецк (4742)52-20-81	Рязань (4912)46-61-64	Ульяновск (8422)24-23-59
Воронеж (473)204-51-73	Магнитогорск (3519)55-03-13	Самара (846)206-03-16	Уфа (347)229-48-12
Екатеринбург (343)384-55-89	Москва (495)268-04-70	Санкт-Петербург (812)309-46-40	Хабаровск (4212)92-98-04
Иваново (4932)77-34-06	Мурманск (8152)59-64-93	Саратов (845)249-38-78	Челябинск (351)202-03-61
Ижевск (3412)26-03-58	Набережные Челны (8552)20-53-41	Севастополь (8692)22-31-93	Череповец (8202)49-02-64
Иркутск (395)279-98-46	Нижний Новгород (831)429-08-12	Симферополь (3652)67-13-56	Ярославль (4852)69-52-93
Россия (495)268-04-70	Киргизия (996)312-96-26-47	Казахстан (7172)727-132	