

DIN

Технические характеристики

По вопросам продаж и поддержки обращайтесь:

Алматы (7273)495-231
Архангельск (8182)63-90-72
Астрахань (8512)99-46-04
Барнаул (3852)73-04-60
Белгород (4722)40-23-64
Брянск (4832)59-03-52
Владивосток (423)249-28-31
Волгоград (844)278-03-48
Вологда (8172)26-41-59
Воронеж (473)204-51-73
Екатеринбург (343)384-55-89
Иваново (4932)77-34-06
Ижевск (3412)26-03-58
Иркутск (395)279-98-46
Россия (495)268-04-70

Казань (843)206-01-48
Калининград (4012)72-03-81
Калуга (4842)92-23-67
Кемерово (3842)65-04-62
Киров (8332)68-02-04
Краснодар (861)203-40-90
Красноярск (391)204-63-61
Курск (4712)77-13-04
Липецк (4742)52-20-81
Магнитогорск (3519)55-03-13
Москва (495)268-04-70
Мурманск (8152)59-64-93
Набережные Челны (8552)20-53-41
Нижний Новгород (831)429-08-12
Киргизия (996)312-96-26-47

Новокузнецк (3843)20-46-81
Новосибирск (383)227-86-73
Омск (3812)21-46-40
Орел (4862)44-53-42
Оренбург (3532)37-68-04
Пенза (8412)22-31-16
Пермь (342)205-81-47
Ростов-на-Дону (863)308-18-15
Рязань (4912)46-61-64
Самара (846)206-03-16
Санкт-Петербург (812)309-46-40
Саратов (845)249-38-78
Севастополь (8692)22-31-93
Симферополь (3652)67-13-56
Казахстан (7172)727-132

Смоленск (4812)29-41-54
Сочи (862)225-72-31
Ставрополь (8652)20-65-13
Сургут (3462)77-98-35
Тверь (4822)63-31-35
Томск (3822)98-41-53
Тула (4872)74-02-29
Тюмень (3452)66-21-18
Ульяновск (8422)24-23-59
Уфа (347)229-48-12
Хабаровск (4212)92-98-04
Челябинск (351)202-03-61
Череповец (8202)49-02-64
Ярославль (4852)69-52-93

DIN Check Valve TEK VALVE



Product structural features

Check valve seal acc. to DIN is applicable to the cutting and connection of pipelines medium that are used in various industries such as petroleum, chemical industry, pharmacy, chemical fertilizer, electric power industry, etc under nominal pressure of PN1.6~16MPa, and working temperature within -110~600℃

Main structural features

1. This product has logical structure, reliable seal, excellent performance and nice design.
2. The seal surface is build-up welding with Co hard alloy, which is attrition-resistant, corrosion-resistant, has good friction resistant and long life.
3. The part material, flange and butt weld end dimension may be selected according to current operating condition and users' requirement, so that meeting the requirements of various engineering.

Technical specification

Structural Formation: BB-BG-OS & Y
 Driving Manner: Hand-Operated
 Driving Manner: Electric-Actuated
 Design Standard: DIN3356
 Face to Face: DIN3202
 Flange Ends: DIN2543-2545
 Test & Inspection: DIN3230

Notes: The size of serial, valve connecting flange can be design according to customers' requirement

Products performance specification

Nominal Pressure (MPa)	Shell Test (MPa)	Sealing Test (MPa)	Suitable Temp(°C)	Suitable Medium
1.6	2.4	1.76	-110~600℃	Water Oil & Gas
2.5	3.75	2.75		
4.0	6.0	4.4		
6.4	9.6	7.04		

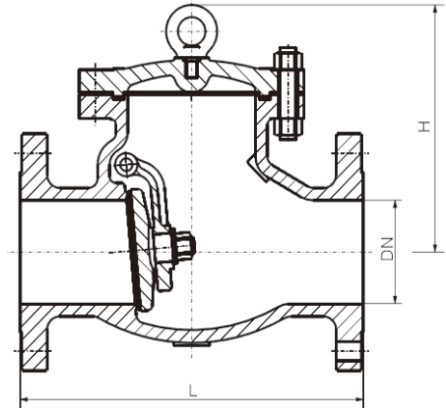
DIN Check Valve

TEK VALVE

Technical specification

- ◎ Structural Formation: BB-BG-OS & Y
- ◎ Driving Manner: Wc-Co Hand-Operated
- ◎ Driving Manner: Electric-Actuated
- ◎ Design Standard: DIN3356
- ◎ Face to Face: DIN3202
- ◎ Flange Ends: DIN2543-2547
- ◎ Test & Inspection: DIN3230

◎ Notes: The size of serial, valve connecting flange can be design according to customers' requirement.



API SERIES

DIN SERIES

JIS SERIES

Main part material of Cast steel

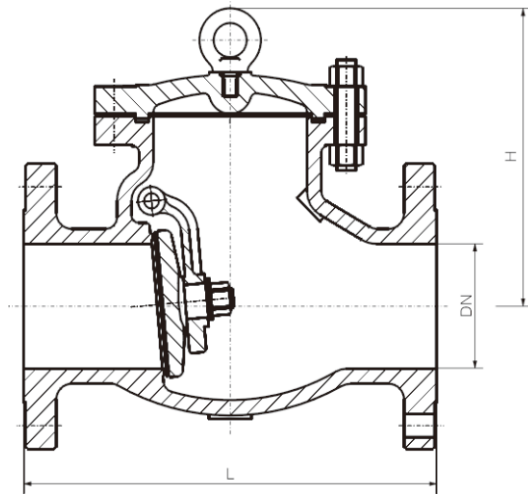
Body	GS-C25							
Cover	GS-C25			1.4308		1.4408		
Disc Sealing Face	13Cr	13Cr	STL	1.4308	STL	1.4408	STL	
Seat Ring Sealing Face	13Cr	STL	STL	1.4308	STL	1.4408	STL	

Main part material of Stainless steel

Body	1.4308		1.4408			1.4306			1.4301			
Cover	1.4308		1.4408			1.4306			1.4301			
Wedge Disc Sealing Face	1.4308	1.4308	STL	1.4408	1.4408	STL	1.4306	1.4306	STL	1.4301	1.4301	STL
Seat Ring Sealing Face	1.4308	STL	STL	1.4408	STL	STL	1.4306	STL	STL	1.4301	STL	STL

DIN Swing Check Valve

TEK VALVE



Size main dimensions of Swing Check Valve

Pressure (MPa)		PN1.6MPa										
Size	mm	50	65	80	100	125	150	200	250	300	350	400
L		230	290	310	350	400	480	550	650	750	850	950
H		305	354	402	437	496	541	699	815	914	1189	1350
Weight(kg)		21	28	38	58	92	130	210	295	365	410	460
Pressure (MPa)		PN2.5MPa										
Size	mm	50	65	80	100	125	150	200	250	300	350	400
L		230	290	310	350	400	480	550	650	750	850	950
H		325	363	415	453	505	556	744	864	948	1269	1450
Weight(kg)		22	29	38	61	96	132	213	297	375	415	480
Pressure (MPa)		PN4.0MPa										
Size	mm	50	65	80	100	125	150	200	250	300	350	400
L		230	290	310	350	400	480	550	650	750	850	950
H		325	370	430	480	532	589	783	888	965	1285	1512
Weight(kg)		22	31	41.5	65	100	136	220	305	400	450	510
Pressure (MPa)		PN6.4MPa										
Size	mm	50	65	80	100	125	150	200	250	300	350	400
L		300	340	380	430	500	550	650	775	900	1025	1150
H		305	354	402	437	496	541	699	815	914	1189	1350
Weight(kg)		27	37	57	87	135	184	266	396	643	815	1230
Pressure (MPa)		PN10.0MPa										
Size	mm	50	65	80	100	125	150	200	250	300	350	400
L		300	340	380	430	500	550	650	775	900	1025	1150
H		325	363	415	453	505	556	744	864	948	1269	1450
Weight(kg)		30	40	60	92	140	195	280	406	670	850	1260

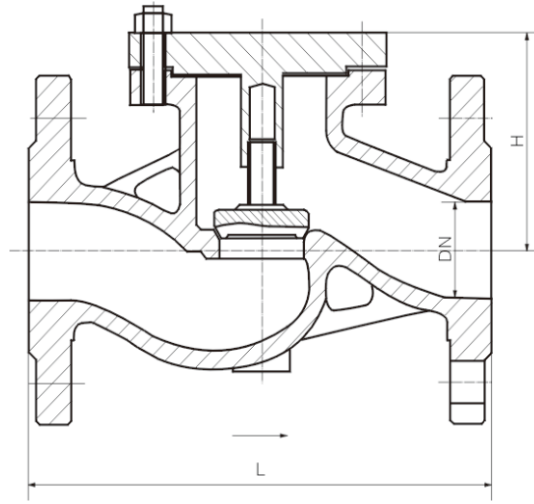
API SERIES

DIN SERIES

JIS SERIES

DIN Lift Check Valve

TEK VALVE



API SERIES

DIN SERIES

JIS SERIES

Size main dimensions of Lift Check Valve

Pressure (MPa)		PN1.6MPa										
Size	mm	50	65	80	100	125	150	200	250	300	350	400
L		230	290	310	350	400	480	600	650	750	850	950
H		305	354	402	437	496	541	699	815	914	1189	1350
Weight(kg)		10	20	30	39	50	70	161	251	395	500	618
Pressure (MPa)		PN2.5MPa										
Size	mm	50	65	80	100	125	150	200	250	300	350	400
L		230	290	310	350	400	480	600	650	750	850	950
H		325	363	415	453	505	556	744	864	948	1269	1450
Weight(kg)		12	22	33	44	55	78	180	270	410	520	650
Pressure (MPa)		PN4.0MPa										
Size	mm	50	65	80	100	125	150	200	250	300	350	400
L		230	290	310	350	400	480	600	650	750	850	950
H		325	370	430	480	532	589	783	888	965	1285	1512
Weight(kg)		13	23	34	46	60	85	190	280	430	550	680

По вопросам продаж и поддержки обращайтесь:

Алматы (7273)495-231	Казань (843)206-01-48	Новокузнецк (3843)20-46-81	Смоленск (4812)29-41-54
Архангельск (8182)63-90-72	Калининград (4012)72-03-81	Новосибирск (383)227-86-73	Сочи (862)225-72-31
Астрахань (8512)99-46-04	Калуга (4842)92-23-67	Омск (3812)21-46-40	Ставрополь (8652)20-65-13
Барнаул (3852)73-04-60	Кемерово (3842)65-04-62	Орел (4862)44-53-42	Сургут (3462)77-98-35
Белгород (4722)40-23-64	Киров (8332)68-02-04	Оренбург (3532)37-68-04	Тверь (4822)63-31-35
Брянск (4832)59-03-52	Краснодар (861)203-40-90	Пенза (8412)22-31-16	Томск (3822)98-41-53
Владивосток (423)249-28-31	Красноярск (391)204-63-61	Пермь (342)205-81-47	Тула (4872)74-02-29
Волгоград (844)278-03-48	Курск (4712)77-13-04	Ростов-на-Дону (863)308-18-15	Тюмень (3452)66-21-18
Вологда (8172)26-41-59	Липецк (4742)52-20-81	Рязань (4912)46-61-64	Ульяновск (8422)24-23-59
Воронеж (473)204-51-73	Магнитогорск (3519)55-03-13	Самара (846)206-03-16	Уфа (347)229-48-12
Екатеринбург (343)384-55-89	Москва (495)268-04-70	Санкт-Петербург (812)309-46-40	Хабаровск (4212)92-98-04
Иваново (4932)77-34-06	Мурманск (8152)59-64-93	Саратов (845)249-38-78	Челябинск (351)202-03-61
Ижевск (3412)26-03-58	Набережные Челны (8552)20-53-41	Севастополь (8692)22-31-93	Череповец (8202)49-02-64
Иркутск (395)279-98-46	Нижний Новгород (831)429-08-12	Симферополь (3652)67-13-56	Ярославль (4852)69-52-93
Россия (495)268-04-70	Киргизия (996)312-96-26-47	Казахстан (7172)727-132	