

DIN

Технические характеристики

По вопросам продаж и поддержки обращайтесь:

Алматы (7273)495-231
Архангельск (8182)63-90-72
Астрахань (8512)99-46-04
Барнаул (3852)73-04-60
Белгород (4722)40-23-64
Брянск (4832)59-03-52
Владивосток (423)249-28-31
Волгоград (844)278-03-48
Вологда (8172)26-41-59
Воронеж (473)204-51-73
Екатеринбург (343)384-55-89
Иваново (4932)77-34-06
Ижевск (3412)26-03-58
Иркутск (395)279-98-46
Россия (495)268-04-70

Казань (843)206-01-48
Калининград (4012)72-03-81
Калуга (4842)92-23-67
Кемерово (3842)65-04-62
Киров (8332)68-02-04
Краснодар (861)203-40-90
Красноярск (391)204-63-61
Курск (4712)77-13-04
Липецк (4742)52-20-81
Магнитогорск (3519)55-03-13
Москва (495)268-04-70
Мурманск (8152)59-64-93
Набережные Челны (8552)20-53-41
Нижний Новгород (831)429-08-12
Киргизия (996)312-96-26-47

Новокузнецк (3843)20-46-81
Новосибирск (383)227-86-73
Омск (3812)21-46-40
Орел (4862)44-53-42
Оренбург (3532)37-68-04
Пенза (8412)22-31-16
Пермь (342)205-81-47
Ростов-на-Дону (863)308-18-15
Рязань (4912)46-61-64
Самара (846)206-03-16
Санкт-Петербург (812)309-46-40
Саратов (845)249-38-78
Севастополь (8692)22-31-93
Симферополь (3652)67-13-56
Казахстан (7172)727-132

Смоленск (4812)29-41-54
Сочи (862)225-72-31
Ставрополь (8652)20-65-13
Сургут (3462)77-98-35
Тверь (4822)63-31-35
Томск (3822)98-41-53
Тула (4872)74-02-29
Тюмень (3452)66-21-18
Ульяновск (8422)24-23-59
Уфа (347)229-48-12
Хабаровск (4212)92-98-04
Челябинск (351)202-03-61
Череповец (8202)49-02-64
Ярославль (4852)69-52-93

DIN Globe Valve

TEK VALVE



Product structural features

Globe valve seal acc. to DIN is applicable to the cutting and connection of pipelines medium that are used in various industries such as petroleum, chemical industry, pharmacy, chemical fertilizer, electric power industry etc under nominal pressure of PN1.6~16MPa and working temperature within -110~600℃

Main structural features

1. This product has logical structure, reliable seal, excellent performance and nice design.
2. The seal surface is build-up welding with Co hard alloy, which is attrition-resistant, corrosion-resistant, has good friction resistant and long life.
3. The stem quenched and tempered, and its surface is treated by nitrating treatment, thus it has good corrosion resistant and friction resistant.
4. The part material, flange and butt weld end dimension may be selected according to current operating condition and users' requirement, so that meeting the requirements of various engineering.

Technical specification

Structural Formation: BB-BG-OS & Y
 Driving Manner: Hand-Operated
 Driving Manner: Electric-Actuated
 Design Standard: DIN3356
 Face to Face: DIN3202
 Flange Ends: DIN2543-2545
 Test & Inspection: DIN3230

Notes: The size of serial, valve connecting flange can be design according to customers' requirement

Products performance specification

Nominal Pressure (MPa)	Shell Test (MPa)	Sealing Test (MPa)	Suitable Temp(°C)	Suitable Medium
1.6	2.4	1.76	-110~600℃	Water Oil & Gas
2.5	3.75	2.75		
4.0	6.0	4.4		
6.4	9.6	7.04		

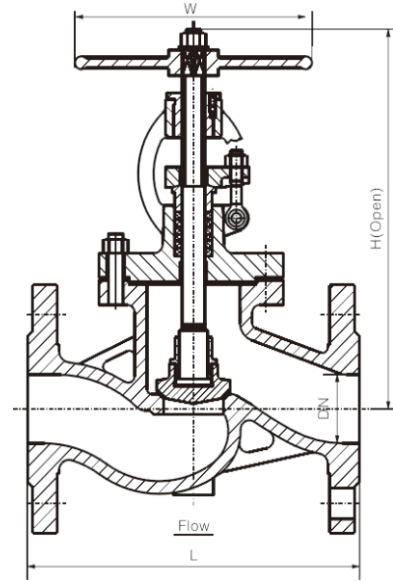
DIN Globe Valve

TEK VALVE

Technical specification

- ◎ Structural Formation: BB–BG–OS & Y
- ◎ Driving Manner: Hand–Operated
- ◎ Driving Manner: Electric–Actuated
- ◎ Design Standard: DIN3356
- ◎ Face to Face: DIN3202
- ◎ Flange Ends: DIN2543–2545
- ◎ Test & Inspection: DIN3230

◎ Notes: The size of serial, valve connecting flange can be design according to customers' requirement.



Main part material of Cast steel

Body	GS-C25						
Disc	GS-C25			1.4308		1.4408	
Stem	13Cr			1.4308		1.4408	
Disc Sealing Face	13Cr	13Cr	STL	1.4308	STL	1.4408	STL
Seat Ring Sealing Face	13Cr	STL	STL	1.4308	STL	1.4408	STL

Main part material of Stainless steel

Body	1.4308			1.4408			1.4306			1.4301		
Disc	1.4308			1.4408			1.4306			1.4301		
Stem	F304			1.4408			1.4306			1.4301		
Wedge Disc Sealing Face	1.4308	1.4308	STL	1.4408	1.4408	STL	1.4306	1.4306	STL	1.4301	1.4301	STL
Ring Sealing Face	1.4308	STL	STL	1.4408	STL	STL	1.4306	STL	STL	1.4301	STL	STL

API SERIES

DIN SERIES

JIS SERIES

DIN Globe Valve

TEK VALVE

Size main dimensions of Globe Valve

Pressure (MPa)		PN1.6MPa															
Size	mm	15	20	25	32	40	50	65	80	100	125	150	200	250	300	350	400
L		130	150	160	180	200	230	290	310	350	400	480	600	650	750	850	950
H		240	260	276	285	300	305	354	402	437	496	541	699	815	914	1189	1350
W		120	140	160	160	180	200	200	750	250	300	350	400	450	500	550	600
Weight(kg)		5.2	7.1	7.4	8.5	13	20	25	35	50	75	100	210	446	648	805	1050
Pressure (MPa)		PN2.5MPa															
Size	mm	15	20	25	32	40	50	65	80	100	125	150	200	250	300	350	400
L		130	150	160	180	200	230	290	310	350	400	480	600	650	750	850	950
H		240	260	276	285	300	325	363	415	453	505	556	744	864	948	1269	1450
W		120	140	160	160	180	200	200	250	300	350	400	450	500	550	600	600
Weight(kg)		6	7.5	8	9	14	22	27	38	55	82	105	220	450	660	810	1100
Pressure (MPa)		PN4.0MPa															
Size	mm	15	20	25	32	40	50	65	80	100	125	150	200	250	300	350	400
L		130	150	160	180	200	230	290	310	350	400	480	600	650	750	850	950
H		240	260	276	285	300	325	370	430	480	532	589	783	888	965	1285	1512
W		120	140	160	160	180	200	200	250	300	350	400	450	500	550	600	600
Weight(kg)		6	7.5	8	9	15	24	30	41	60	85	110	225	460	670	830	1120
Pressure (MPa)		PN6.4MPa															
Size	mm	40	50	65	80	100	125	150	200	250	300	350	400				
L		260	300	340	380	430	500	550	650	775	900	1025	1150				
H		300	305	354	402	437	496	541	699	815	914	1189	1350				
W		180	200	200	750	250	300	350	400	450	500	550	600				
Weight(kg)		17	26	33	45	65	90	120	230	470	680	850	1130				
Pressure (MPa)		PN10.0MPa															
Size	mm	40	50	65	80	100	125	150	200	250	300	350	400				
L		260	300	340	380	450	500	550	650	775	900	1025	1150				
H		300	325	363	415	453	505	556	744	864	948	1269	1450				
W		180	200	200	250	300	350	400	450	500	550	600	600				
Weight(kg)		19	27	34	46	67	95	125	235	480	690	860	1150				

API SERIES

DIN SERIES

JIS SERIES

По вопросам продаж и поддержки обращайтесь:

Алматы (7273)495-231	Казань (843)206-01-48	Новокузнецк (3843)20-46-81	Смоленск (4812)29-41-54
Архангельск (8182)63-90-72	Калининград (4012)72-03-81	Новосибирск (383)227-86-73	Сочи (862)225-72-31
Астрахань (8512)99-46-04	Калуга (4842)92-23-67	Омск (3812)21-46-40	Ставрополь (8652)20-65-13
Барнаул (3852)73-04-60	Кемерово (3842)65-04-62	Орел (4862)44-53-42	Сургут (3462)77-98-35
Белгород (4722)40-23-64	Киров (8332)68-02-04	Оренбург (3532)37-68-04	Тверь (4822)63-31-35
Брянск (4832)59-03-52	Краснодар (861)203-40-90	Пенза (8412)22-31-16	Томск (3822)98-41-53
Владивосток (423)249-28-31	Красноярск (391)204-63-61	Пермь (342)205-81-47	Тула (4872)74-02-29
Волгоград (844)278-03-48	Курск (4712)77-13-04	Ростов-на-Дону (863)308-18-15	Тюмень (3452)66-21-18
Вологда (8172)26-41-59	Липецк (4742)52-20-81	Рязань (4912)46-61-64	Ульяновск (8422)24-23-59
Воронеж (473)204-51-73	Магнитогорск (3519)55-03-13	Самара (846)206-03-16	Уфа (347)229-48-12
Екатеринбург (343)384-55-89	Москва (495)268-04-70	Санкт-Петербург (812)309-46-40	Хабаровск (4212)92-98-04
Иваново (4932)77-34-06	Мурманск (8152)59-64-93	Саратов (845)249-38-78	Челябинск (351)202-03-61
Ижевск (3412)26-03-58	Набережные Челны (8552)20-53-41	Севастополь (8692)22-31-93	Череповец (8202)49-02-64
Иркутск (395)279-98-46	Нижний Новгород (831)429-08-12	Симферополь (3652)67-13-56	Ярославль (4852)69-52-93
Россия (495)268-04-70	Киргизия (996)312-96-26-47	Казахстан (7172)727-132	